

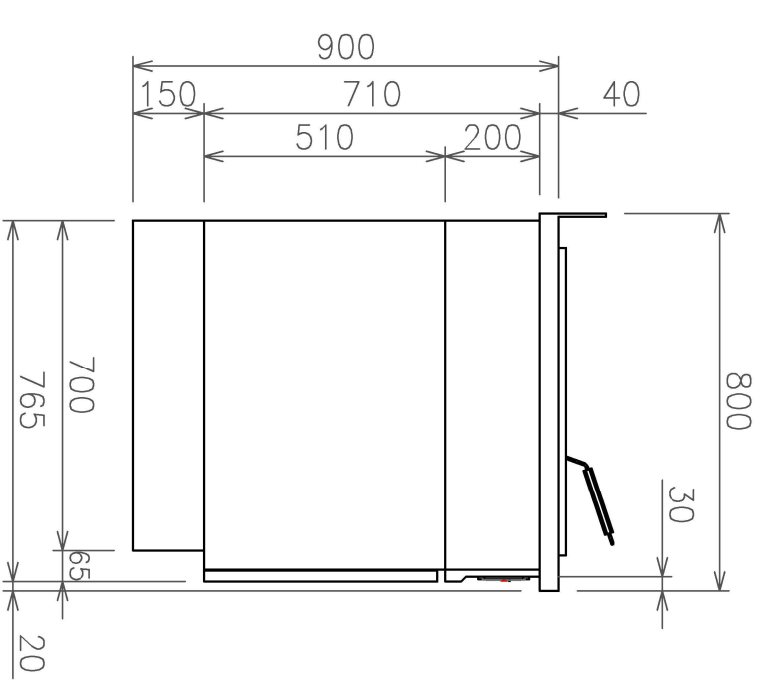
with pump



with lift



with pump and lift



Technical data	
Dimensions (LxTxH)	400 x 650 x 750/900 mm
Basket size	2x 140 x 320 x 155 mm
Basket capacity	2x 1.25 kg
Total capacity	2x 7.5 - 9.0 Liter
Connected load	2x 8.0 kW
Voltage	3-phase 400 V AC
Fuse	2x (3 x 16) A
Number of basins	2
Number of baskets	2
Frying output (chilled food)	50 kg/h
Frying output (frozen food)	38 kg/h
Thermostat control range	50-180/190 C°
Sensible heat dissipation	1.44 kW
Latent heat dissipation	11.20 kW
Steam output	16.48 kg/h
Insulation value	0.18 m²K/W (R-value)
Water protection	IPX4
Automatic basket lift	optional
Integrated oil/fat pump	optional
Mobile design	optional
Door hinge	left/right

Incl. 2 cable 2m, WITHOUT plug

Technical modifications reserved

## Built-in Deep Fat Fryers FrylineEVO

### Built-in fryers, incl. frying basket

Type: SFR-EVO 42E

Drawing no: SFR-EVO 42E

Index 00

Format	Scale	Index	Date	Draftsman
A3	1:10/1:16	00	12.12.2024	NeV

SALVIS AG  
 CH-4665 Oftringen  
 Tel. +41 62 788 18 18  
 www.salvis.ch  
 smart cooking



We are the owners of the copy-right of this drawing. Any use or partial use which has not been authorized by us is forbidden in accordance with current legislation. This includes making unauthorized copies of the drawing or letting others make use of it or divulging information from it to third parties. Violation of these rules are legally punishable and make the offender liable to the payment of damages.